

REV	DATE	DRAWN/CHKD	DESCRIPTION	PART NUMBER	MATERIAL	FINISH
A	29MAY2013	CMS/DGJ	PRN: P2013-1150	CM-1-1B109-1B	SEE NOTE A	SEE NOTE A

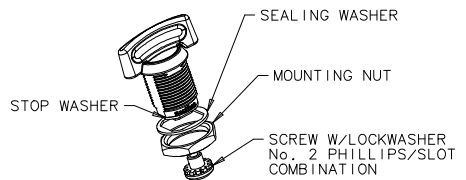
INCHES

ALL DIMENSIONS WITHOUT TOLERANCES ARE FOR REFERENCE ONLY.

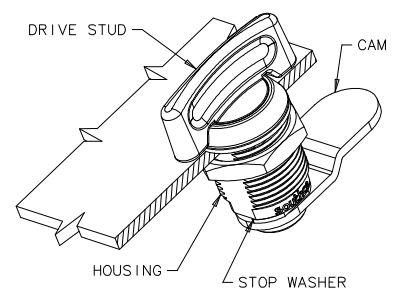
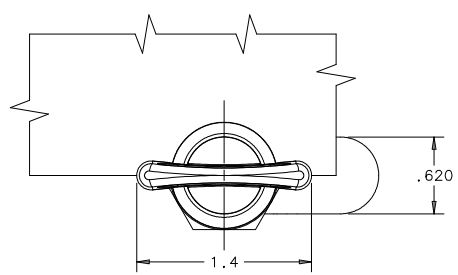
 THIRD ANGLE PROJECTION	 B PAPER SIZE
----------------------------	------------------

**NOTES:**

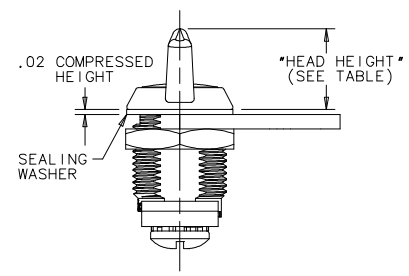
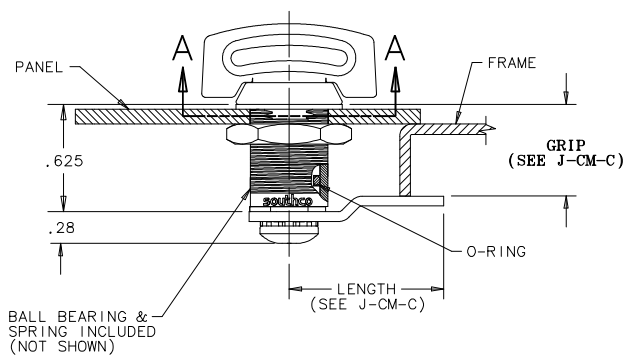
- A. HOUSING, STUD: CAST ZINC, ZINC INGOT AG401 PER ASTM B240, CHROMATE CLEAR ON DIE CAST ZINC, CLEAR SEMIGLOSS, BLACK POWDER COATED ON EXPOSED SURFACES.  
 HEX NUT: CAST ZINC, ZINC INGOT AG401 PER ASTM B240, CHROMATE CLEAR ON DIE CAST ZINC, CLEAR SEMIGLOSS.  
 O-RING: NITRILE RUBBER, BLACK.  
 SEALING WASHER: NATURAL RUBBER, BLACK.  
 BALL BEARING: 1200 SERIES STEEL PER ASTM A108, NATURAL, APPLIED WITH GREASE.  
 SPRING: 65Mn STEEL, NATURAL.  
 STOP WASHER: SPCC-SD PER JIS G3141, ZINC PLATE ASTM B633, CHROMATE CONVERSION COATING.  
 SCREW AND LOCKWASHER: ZINC PLATE PER ASTM B633, BLUE CHROMATE CONVERSION COATING.
- B. FOR INSTALLATION AND PANEL PREPARATION SEE DRAWING J-CM-1-A.
- C. SEE J-CM-C FOR CAM PART NUMBERS.



SUBASSEMBLY ONLY  
(CAM ORDERED SEPARATELY)  
PART No. CM-1-1B109-1B SHOWN



PART NUMBER CM-1-1B109-1B SHOWN  
ASSEMBLED WITH CAM CM-C210  
(CAM ORDERED SEPARATELY)



CAM ROTATION ANGLE

